


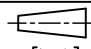
RECOMMEND PCB LAYOUT  
TOLERANCE: ±0.05  
TOP VIEW

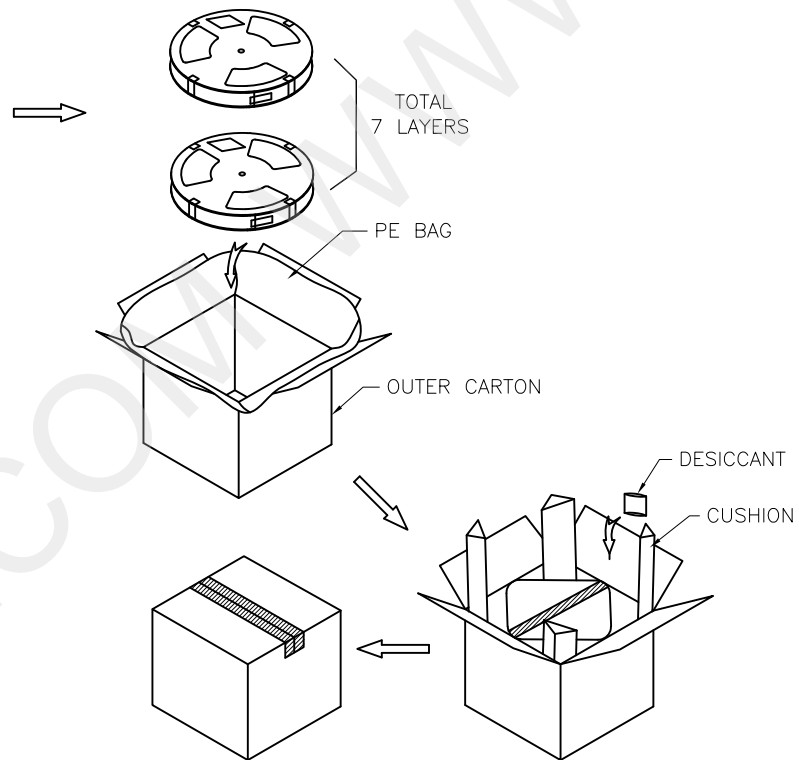
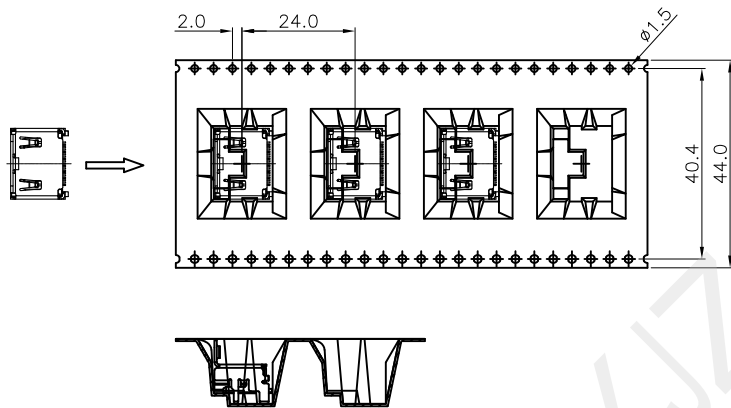
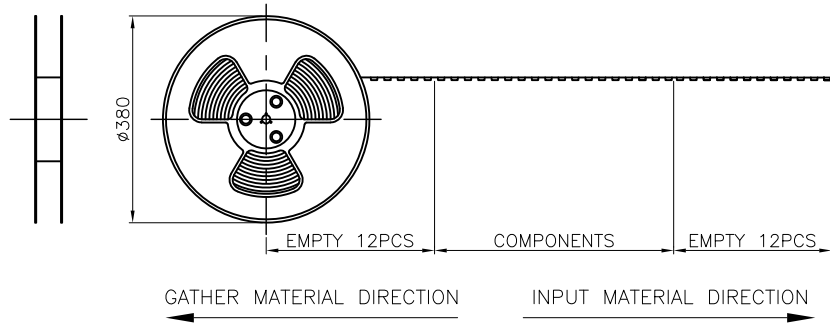
**MATERIALS**

1. HOUSING : LCP , BLACK.
2. TERMINAL : BRASS,  
PLATING : GOLD PLATED ON CONTACT AREA,  
TIN PLATED ON SOLDER TAILS.
3. SHELL : BRASS,  
PLATING : NICKEL PLATED OVERALL.
4. EMI SHIELD : STAINLESS STEEL.

**SPECIFICATION**




1. CURRENT RATING : 0.5 A. MAX.
2. DIELECTRIC WITHSTANDING VOLTAGE :  
500V AC R.M.S. FOR 1 MINUTE.
3. INSULATION RESISTANCE : 100MΩ MIN.AT 500V DC.
4. CONTACT RESISTANCE : 30mΩ MAX.
5. OPERATING TEMPERATURE : -25°C TO +85°C.
6. INSERTION FORCE : 4.5Kgf MAX.
7. WITHDRAWING FORCE : 1Kgf ~ 4Kgf.

 <b>深圳市华宇创精密电子有限公司</b>			
<b>TOLERANCE:</b> X.X ±0.30 X.XX ±0.25 X.XXX ±0.15 X.' ±2' X.X' ±0.5'	<b>DRAWN BY :</b> 陈一鸣	<b>DATE :</b> 2014-02-23	<b>PART NAME:</b> HDMI2.1 A TYPE SMT带耳 8.78螺丝孔
	<b>CHECKED BY:</b> 马跃	<b>DATE :</b> 2014-02-23	<b>PART NO.</b> HVC176-HDMI A19-878 <b>MOLD NO.</b>
  <b>UNIT: mm [inch]</b> <b>SCALE:1:1 SIZE: A4</b>	<b>APPROVED BY:</b> 邱敏	<b>DATE :</b> 2014-02-23	<b>DRAW NO:</b> HVC-2606161152 <b>SHEET NO.</b> 1 OF 1



PACKAGE :

1. CORTON SIZE: 400x400x380mm (LxWxH)
2. 250 PCS/REEL
3. 7 REEL/CARTON = 1750PCS

 <span style="font-size: 1.2em; font-weight: bold;">深圳市华宇创精密电子有限公司</span>			
TOLERANCE: X.X ±0.30 X.XX ±0.25 X.XXX ±0.15 X.' ±2'    X.X' ±0.5'	DRAWN BY :	DATE :	PART NAME:
	陈一鸣	2014-02-23	包装图
  UNIT: mm [inch]	CHECKED BY:	DATE :	PART NO.
	马跃	2014-02-23	
SCALE:1:1    SIZE: A4	APPROVED BY:	DATE :	DRAW NO:
	邱敏	2014-02-23	
			SHEET NO. 1 OF 1